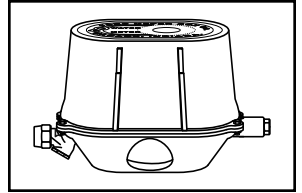


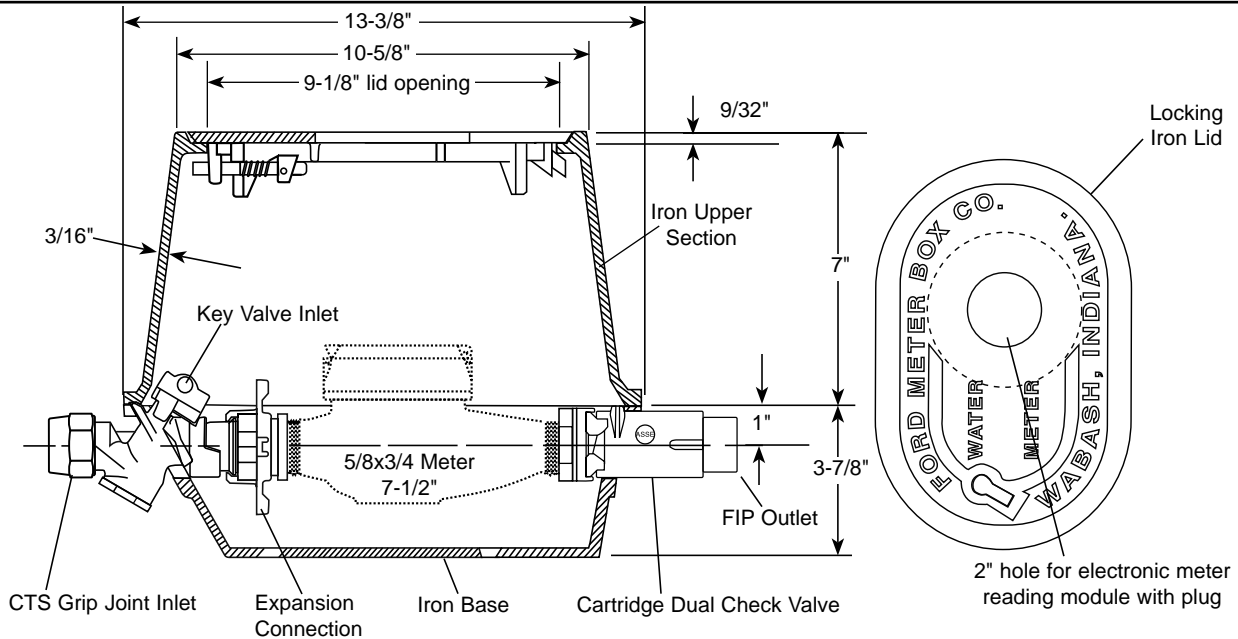
# SUBMITTAL INFORMATION

## Yokebox - (YLHC141-233-TP-G-NL style)



GRIP JOINT FOR COPPER OR PLASTIC TUBING (CTS) INLET BY FEMALE IRON PIPE THREAD OUTLET

STRAIGHT KEY VALVE BY STRAIGHT DUAL CARTRIDGE CHECK VALVE



METER SIZE	CTS GJ INLET	FIP OUTLET	APPROX. WT. LBS.	CATALOG NUMBER	✓ SUBMITTED ITEM(S)
5/8" x 3/4"	3/4"	3/4"	39.0	YLHC141-233-TP-G-NL	

**Note:** Ford recommends using insert stiffeners with plastic pipe or tubing

### FEATURES

- All brass that comes in contact with potable water conforms to AWWA Standard C800 (ASTM B584, UNS C89833)
- The product has the letters "NL" cast into the main body for lead-free identification
- Brass components that do not come in contact with potable water conform to AWWA Standard C800 (ASTM B62 and ASTM B584, UNS C83600, 85-5-5-5)
- Base, upper section and lid are cast iron per ASTM A48, Class 25
- The dual cartridge check valve is ASSE 1024 approved
- The brass end fittings are permanently and properly spaced and aligned for the meter
- Finish is black E-coating
- Locking lid is standard
- Lockless lid is available; add "-LL" to catalog number

The Ford Meter Box Company considers the information in this submittal form to be correct at the time of publication. Item and option availability, including specifications, are subject to change without notice. Please verify that your product information is current.



#### The Ford Meter Box Company, Inc.

P.O. Box 443, Wabash, Indiana U.S.A. 46992-0443

Phone: 260-563-3171 / Fax: 800-826-3487

Overseas Fax: 260-563-0167

www.fordmeterbox.com

11/04/14

Submitted By: